

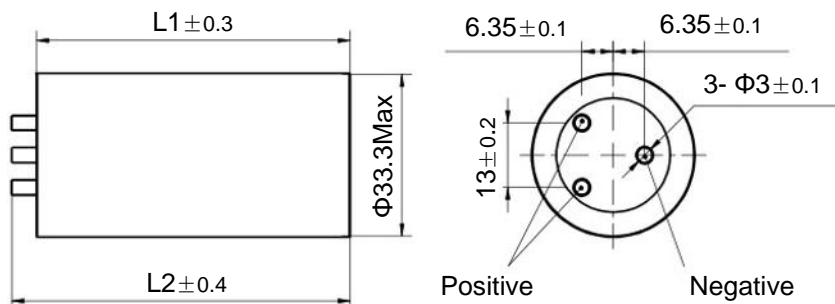
### Features

- Cylindrical with soldering pillar terminal
- Low ESR
- Over 1000,000 duty cycles

### Applications

- Pitching control system of Wind Turbine Generator
- UPS, backup power supply and pulse power supply
- Electronic tools and police flash lights
- Vehicle voltage stabilizing system
- Medical equipment

### Dimensions



Cap/F	Dimension /mm	
	L1	L2
720	112.8	118.7
800	112.8	118.7

### Specifications

Items	Characteristics
Operating Voltage	2.85 VDC
Surge Voltage	3.0 VDC
Operating Temperature Range	-40°C to 65°C
Capacitance Tolerance	-10% to +20% (25°C)
Temperature Performance(-40°C to 65°C)	$\Delta C \leq 5\%$ of initial measured value@ 25°C ESR $\leq 150\%$ of specified value
Life (1500 hours @ 65°C, 2.85 VDC)	$\Delta C \leq 20\%$ of initial measured value ESR $\leq 200\%$ of specified value
Cycle life (1,000,000 cycles between $V_R$ and $1/2 V_R$ )	$\Delta C \leq 20\%$ of initial measured value ESR $\leq 200\%$ of specified value

### Standard Product

CAP (F)	Part Number	ESR (mohm)		LC (mA, RT 72hrs)	Max. Energy Stored (Wh)	Max. Energy Density (Wh/Kg)	Max. Continuous Current (15/40°C,A)	Max. Peak Current (A)	Typical Thermal Resistance (Housing) °C/W	Typical Thermal Capacitance, $C_{th}$ , J/°C	Typical Mass (g)
		AC @ 1kHz	DC								
720	SCE0720C0-002R85SPA	1.3	1.8	1.5	0.81	6.5	36/59	447	6.3	140	125
800	SCE0800C0-002R85SPA	1.3	1.8	1.7	0.90	7.2	36/59	467	6.3	140	125