

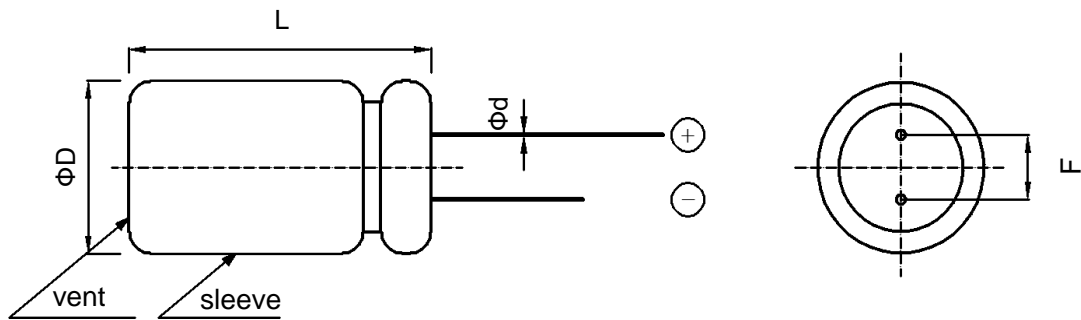
### Features

- Small Size, High Capacitance
- Low ESR
- Low LC
- Over 500,000 duty cycles
- Lead Wire Termination

### Applications

- Backup Power、AMR、Black Box
- Auto Meter、DTU/FTU、POS Machine
- Fast Charging & Moto Driving Power、Toy car and plane
- Long Life Power、Solar Traffic Sign

### Dimensions



Part Number	Dimension/mm			
	D+1	L±1	F±1	d±0.05
SCV0001C0-0002R5LTZ	8	11.0	3.5	0.5
SCV0002C0-0002R5LTZ	8	14.0	3.5	0.5
SCV0003C3-0002R5LTZ	8	21.0	3.5	0.5
SCV0007C0-0002R5LTZ	10	22.0	5.0	0.6
SCV0010C0-0002R5LTB	10	30.0	5.0	0.6
SCV0025C0-0002R5LTZ	16	31.5	7.5	0.8
SCV0025C0-0002R5LTA	16	27.0	7.5	0.8
SCV0050C0-0002R5LTZ	18	42.0	7.5	0.8
SCV0060C0-0002R5LTZ	18	42.0	7.5	0.8

**Specifications**

Items	Characteristics
Operating Voltage	2.5 VDC
Surge Voltage	2.65 VDC
Operating Temperature Range	-25°C to 70°C
Capacitance Tolerance	-10% to +40% (25°C)
Temperature Performance(-20°C to 70°C)	$\Delta C \leq 30\%$ of initial measured value@ 25°C ESR $\leq 200\%$ of specified value
Life (1000 hours @ 70°C, 2.5 VDC)	$\Delta C \leq 30\%$ of initial measured value ESR $\leq 200\%$ of specified value
Cycle life (500,000 cycles between $V_R$ and $1/2 V_R$ )	$\Delta C \leq 30\%$ of initial measured value ESR $\leq 200\%$ of specified value

**Standard Product**

CAP (F)	Part Number	ESR (mΩ)		LC (mA, RT 72hrs)	Max. Energy Stored (Wh)	Max. Energy Density (Wh/Kg)	Max. Continuous Current (15/40°C,A)	Max. Peak Current (A)	Typical Thermal Resistance (Housing) °C/W	Typical Thermal Capacitance, $C_{th}$ , J/°C	Typical Mass (g)
		AC @ 1kHz	DC								
1	SCV0001C0-0002R5LTZ	500	750	0.008	0.001	0.87	0.4/0.6	0.7	132	0.9	1
2	SCV0002C0-0002R5LTZ	300	450	0.010	0.002	1.45	0.6/0.9	1.3	110	1.1	1.2
3.3	SCV0003C3-0002R5LTZ	200	300	0.015	0.003	1.79	0.9/1.4	2.1	69	1.4	1.6
7	SCV0007C0-0002R5LTZ	90	135	0.020	0.006	2.17	1.3/2.2	4.5	62	2.4	2.8
10	SCV0010C0-0002R5LTB	80	120	0.030	0.009	2.71	1.7/2.8	5.7	43	2.9	3.2
25	SCV0025C0-0002R5LTZ	40	60	0.060	0.022	2.55	2.8/4.5	12.5	33	7.2	8.5
25	SCV0025C0-0002R5LTA	40	60	0.060	0.022	2.55	2.3/3.8	12.5	47	7.2	8.5
50	SCV0050C0-0002R5LTZ	25	37.5	0.120	0.043	2.99	3.9/6.4	21.7	26	13.8	14.5
60	SCV0060C0-0002R5LTZ	25	37.5	0.120	0.052	3.43	4.1/6.7	23.1	24	14.4	15.2