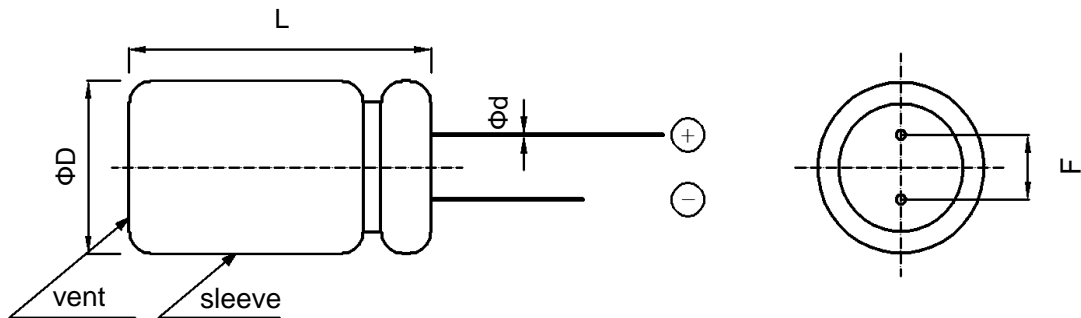
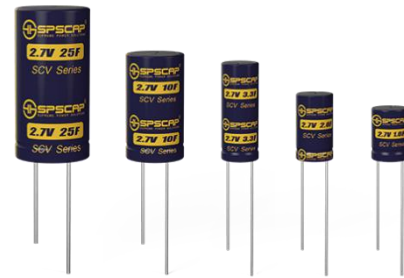


## Features

- Small Size, High Capacitance
- Low ESR
- Low LC
- Over 500,000 duty cycles
- Lead Wire Termination

## Applications

- Backup Power、AMR、Black Box
- Auto Meter、DTU/FTU、POS Machine
- Fast Charging & Moto Driving Power、Toy car and plane
- Long Life Power、Solar Traffic Sign



Part Number	Dimension/mm			
	D±1	L±1	F±1	d±0.05
SCV0001C0-0002R7LTZ	8.0	11.0	3.5	0.5
SCV0002C0-0002R7LTZ	8.0	14.0	3.5	0.5
SCV0003C3-0002R7LTZ	8.0	21.0	3.5	0.5
SCV0007C0-0002R7LTZ	10.0	22.0	5.0	0.6
SCV0010C0-0002R7LTB	10.0	30.0	5.0	0.6
SCV0010C0-0002R7LTE	12.5	22.5	5.0	0.6
SCV0025C0-0002R7LTZ	16.0	31.5	7.5	0.8
SCV0025C0-0002R7LTA	16.0	27.0	7.5	0.8
SCV0050C0-0002R7LTZ	18.0	42.0	7.5	0.8
SCV0060C0-0002R7LTZ	18.0	42.0	7.5	0.8

**Specifications**

Items	Characteristics
Operating Voltage	2.7 VDC
Surge Voltage	2.85 VDC
Operating Temperature Range	-40°C to 65°C
Capacitance Tolerance	-10% to +40% (25°C)
Temperature Performance(-40°C to 65°C)	$\Delta C \leq 30\%$ of initial measured value@ 25°C ESR $\leq 200\%$ of specified value
Life (1000 hours @ 65°C, 2.7 VDC)	$\Delta C \leq 30\%$ of initial measured value ESR $\leq 200\%$ of specified value
Cycle life (500,000 cycles between $V_R$ and $1/2 V_R$ )	$\Delta C \leq 30\%$ of initial measured value ESR $\leq 200\%$ of specified value

**Standard Product**

CAP (F)	Part Number	ESR (mΩ)		LC (mA, RT 72hrs)	Max. Energy Stored (Wh)	Max. Energy Density (Wh/Kg)	Max. Continuous Current (15/40°C,A)	Max. Peak Current (A)	Typical Thermal Resistance (Housing) °C/W	Typical Thermal Capacitance, $C_{th}$ , J/°C	Typical Mass (g)
		AC @ 1kHz	DC								
1	SCV0001C0-0002R7LTZ	220	330	0.008	0.001	1.01	0.6/1	1.0	132	0.9	1.0
2	SCV0002C0-0002R7LTZ	120	180	0.010	0.002	1.69	0.9/1.4	2.0	110	1.1	1.2
3.3	SCV0003C3-0002R7LTZ	90	135	0.015	0.003	2.23	1.3/2.1	3.1	69	1.3	1.5
7	SCV0007C0-0002R7LTZ	45	68	0.020	0.007	2.84	1.9/3.1	6.4	62	2.1	2.5
10	SCV0010C0-0002R7LTB	35	53	0.030	0.010	3.38	2.6/4.2	8.9	43	2.7	3.0
10	SCV0010C0-0002R7LTE	35	53	0.030	0.010	2.89	2.6/4.3	8.9	42	3.5	3.5
25	SCV0025C0-0002R7LTZ	20	30	0.070	0.025	3.25	3.9/6.4	19.3	33	6.6	7.8
25	SCV0025C0-0002R7LTA	20	30	0.070	0.025	3.52	3.3/5.3	19.3	47	6.1	7.2
50	SCV0050C0-0002R7LTZ	12	18	0.150	0.051	3.75	5.7/9.2	35.5	26	12.8	13.5
60	SCV0060C0-0002R7LTZ	12	18	0.160	0.061	4.34	5.9/9.6	38.9	24	13.3	14.0